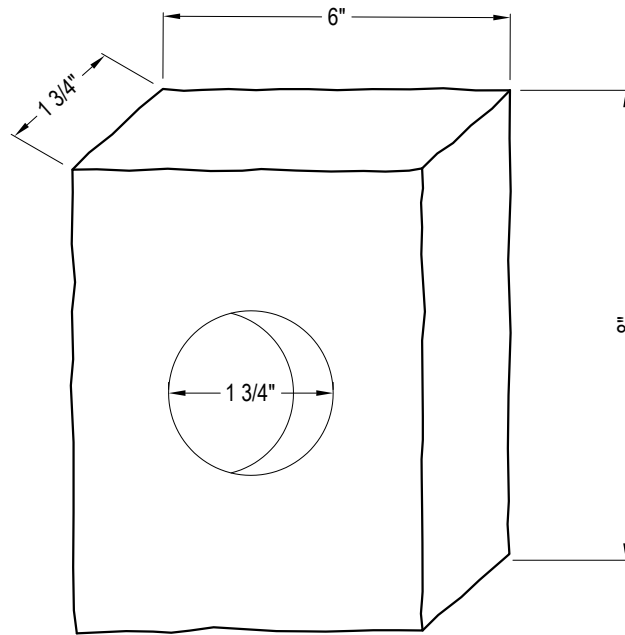




PRESTIGE STONE PRODUCTS  
9290 WINESBURG RD.  
DUNDEE, OH 44624  
PHONE: (330) 439-5318  
FAX: (330) 439-5319  
[www.prestigestoneproducts.com](http://www.prestigestoneproducts.com)

SELECT DESIRED COLOR:

- BROWN
- CHARCOAL
- GRAY
- TAN
- WHITE



PERSPECTIVE - WATER HYDRANT BLOCK

**SPECIFICATIONS:**

**SMOOTH SURFACE / COMMONLY USED TO HOUSE AN ELECTRIC CIRCUIT**

*DIMENSIONS:* 6" L X 1 3/4" W X 8" D

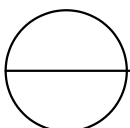
*PACKAGING:* 24 PER BOX / 16 BOXES PER SKID / 384 PER SKID

*WEIGHT:* 5 LBS EACH / 120 LBS PER BOX / 1970 LBS PER SKID

\*50 LBS ADDED FOR PALLET WEIGHT

**NOTES:**

1. INSTALLATION TO BE COMPLETED IN ACCORDANCE WITH MANUFACTURER'S SPECIFICATIONS.
2. DO NOT SCALE DRAWING.
3. THIS DRAWING IS INTENDED FOR USE BY ARCHITECTS, ENGINEERS, CONTRACTORS, CONSULTANTS AND DESIGN PROFESSIONALS FOR PLANNING PURPOSES ONLY. THIS DRAWING MAY NOT BE USED FOR CONSTRUCTION.
4. ALL INFORMATION CONTAINED HEREIN WAS CURRENT AT THE TIME OF DEVELOPMENT BUT MUST BE REVIEWED AND APPROVED BY THE PRODUCT MANUFACTURER TO BE CONSIDERED ACCURATE.
5. CONTRACTOR'S NOTE: FOR PRODUCT AND COMPANY INFORMATION VISIT [www.CADdetails.com/info](http://www.CADdetails.com/info) AND ENTER REFERENCE NUMBER 5381-023.



## ACCESSORIES

WATER HYDRANT BLOCK