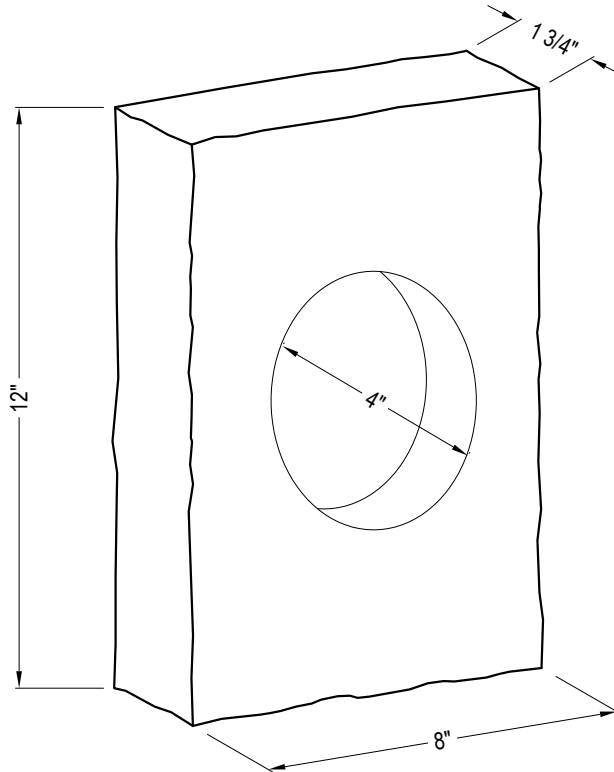




PRESTIGE STONE PRODUCTS  
9290 WINESBURG RD.  
DUNDEE, OH 44624  
PHONE: (330) 439-5318  
FAX: (330) 439-5319  
www.prestigestoneproducts.com

SELECT DESIRED COLOR:

- BROWN
- CHARCOAL
- GRAY
- TAN
- WHITE



PERSPECTIVE-LIGHT BLOCKS

**SPECIFICATIONS:**

**SMOOTH SURFACE CHISELED EDGES / COMMONLY USED TO HOUSE A LIGHT FIXTURE BASE**

*DIMENSIONS:* 12" L X 8" W X 1 3/4" D

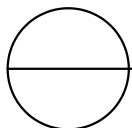
*PACKAGING:* BY THE PIECE / 12 PER BOX / 192 PIECES PER SKID

*WEIGHT:* 10 LBS EACH / 120 LBS PER BOX / 1970 LBS PER SKID

\*50 LBS ADDED FOR PALLET WEIGHT

**NOTES:**

1. INSTALLATION TO BE COMPLETED IN ACCORDANCE WITH MANUFACTURER'S SPECIFICATIONS.
2. DO NOT SCALE DRAWING.
3. THIS DRAWING IS INTENDED FOR USE BY ARCHITECTS, ENGINEERS, CONTRACTORS, CONSULTANTS AND DESIGN PROFESSIONALS FOR PLANNING PURPOSES ONLY. THIS DRAWING MAY NOT BE USED FOR CONSTRUCTION.
4. ALL INFORMATION CONTAINED HEREIN WAS CURRENT AT THE TIME OF DEVELOPMENT BUT MUST BE REVIEWED AND APPROVED BY THE PRODUCT MANUFACTURER TO BE CONSIDERED ACCURATE.
5. CONTRACTOR'S NOTE: FOR PRODUCT AND COMPANY INFORMATION VISIT [www.CADdetails.com/info](http://www.CADdetails.com/info) AND ENTER REFERENCE NUMBER 5381-016.



## ACCESSORIES

LIGHT BLOCKS